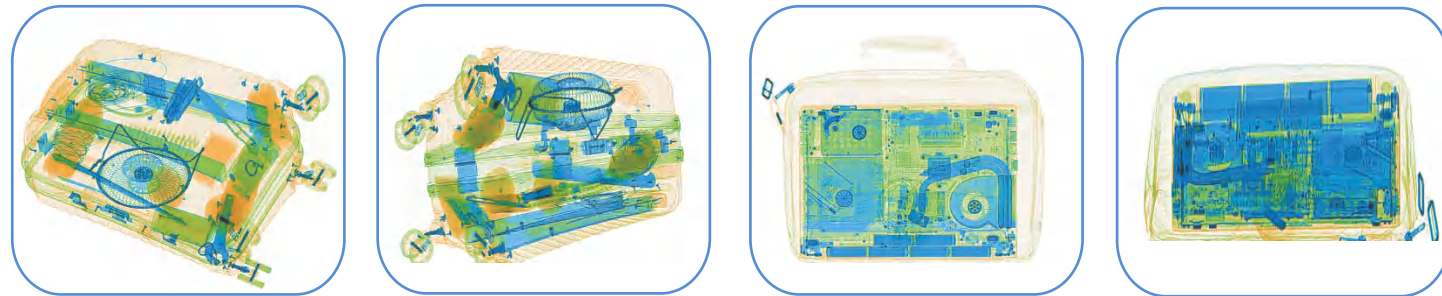




Detection renderings



Leading edge:

Intelligent image identification: using visual analysis and density algorithm to quickly and accurately identify knives, liquids, and difficult-to-penetrate objects;
Technological innovation: The software has reserved development interfaces to realize the application needs of multiple field recordings such as centralized image identification, remote supervision, and automatic sorting.

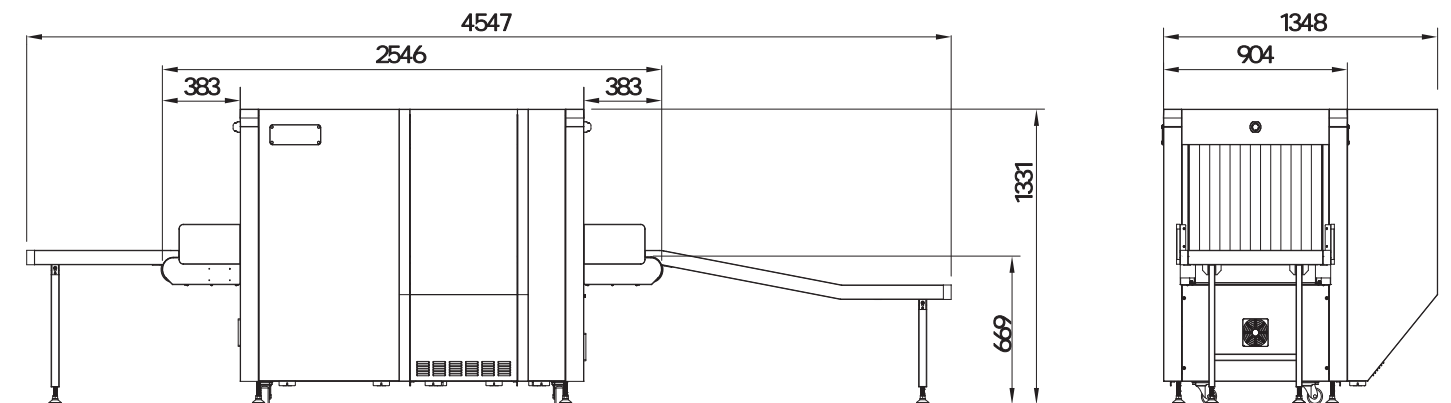
ZA6550D

Dual View X Ray Baggage Scanner

Basic parameter indicators:

Tunnel Size:650 (width) × 500 (height) mm
Conveyor Speed: 0.22m/s
Conveyor belt rated load: 200kg
Line resolution: 0.0787mm (AWG40) Single solid core copper wire with a diameter of 0.0787mm (AWG40)
Penetration resolution 0.160-0.127mm (AWG34-AWG36) Single solid core copper wire with diameter 0.160-0.127mm (AWG34-AWG36)
Penetration:The thickness of the steel plate that can be penetrated is (front) 46mm/(side) 46mm
Film security: guarantee ASA/ISO1600 Film
Leakage dose:<0.5μGy/h
Weight:750kg

X ray generator
Beam direction: bottom/side illumination
Tube current: 0.4~1.2mA (adjustable)
Tube voltage: 100--160 KV (adjustable)
Beam divergence angle: 80°
Cooling/working cycle: sealed oil cooling/100%
Working temperature/humidity : 5°C~40°C/10%~90% (non-condensing)
Storage temperature -20°C~+60°C
Working voltage 220VAC (±10%)50+3Hz
Power loss 1.0KW (maximum value)
Noise level <60dB(A)



SHENZHEN ZOAN GAOKE ELECTRONICS CO.,LTD

ADDRESS:A403Room ,Qifeng Digital Technology Park
TEL:0755-84416080Fax:0755-84416862
Website:www.secuzoan.comE-mail:sandylyu@szzoan.com
24-hour after-sales service hotline :400-830-9365